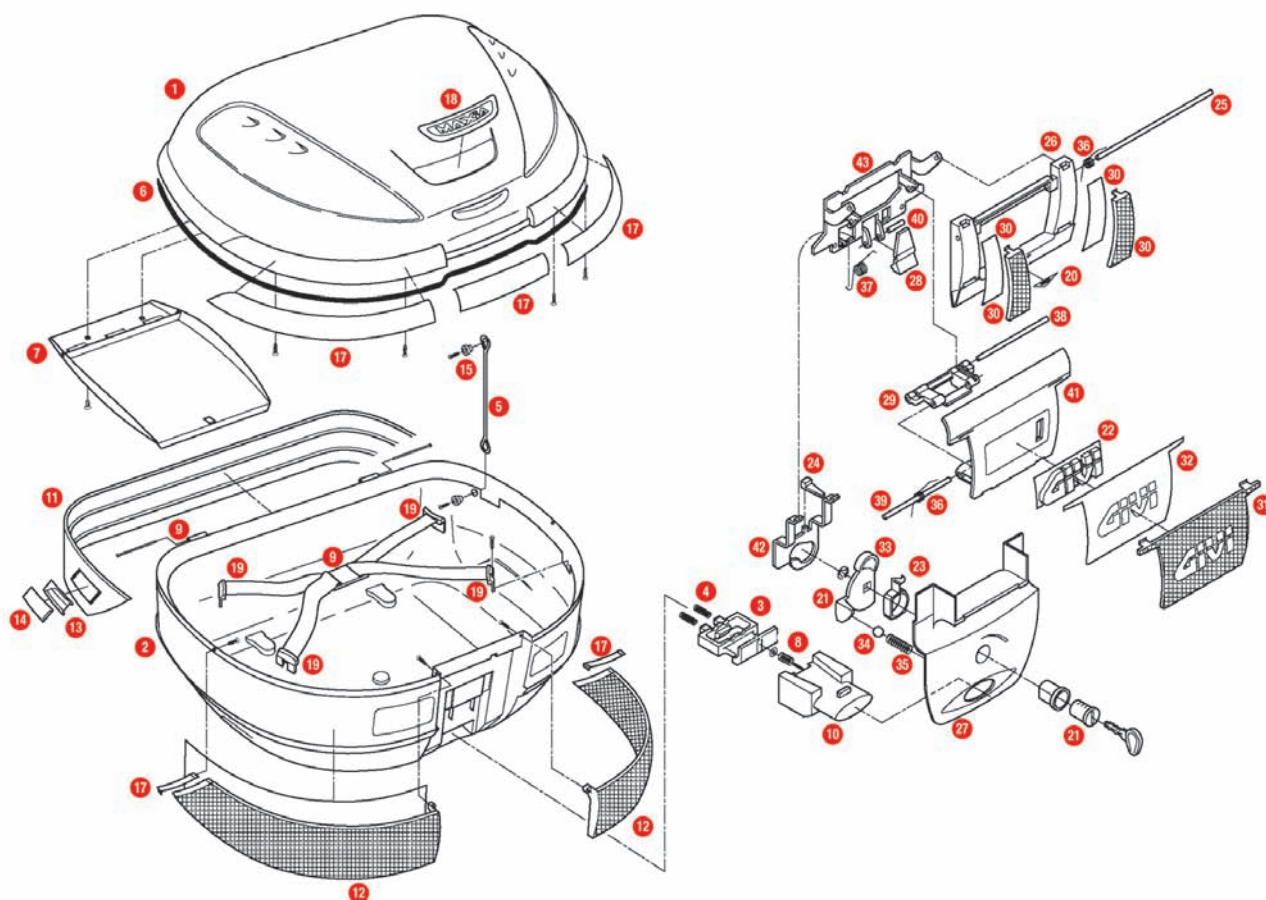


E52 MAXIA



1	Z52CNM	E52 top-shell, black		
2	Z52FNM	E52 bottom-shell, black		
3	Z106	Bolt		
4	Z109	Long bolt springs		
5	Z115R	Stop bag opening yarn, 2 pcs.		
6	Z159R	Bag lock lining, 1 pcs.		
	Z1237	Push button spring with washer		
9	Z590R	Pin. Medium, 2 pcs.		
10	Z206	Push button PRESS		
11	Z218N	Black rear bend		
11	Z218VS	Grey rear bend		
12	Z223	Red reflector		
13	Z276	Name holder		
14	Z286	Glass for small name plate		
15	Z339	Red pulley		
16	Z633	Spare elastic belt		
17	Z684C	Satined trim (5 pcs.)		
18	Z129	MAXIA sticker (on top-shell)		
19	Z338	Pass belt clip		
	Z682N	Lock set		
20	Z127 ▲	Press plate mm 34,4x10,6		
21	Z661	Key for case lock		

22	Z229	Chromed GIVI brand		
23	Z234A	Acetalic latch (A)		
24	Z234B	Acetalic latch (B)		
25	Z297 ▲	Pin 140 mm		
26	Z367N	Black handle		
27	Z368N	Bottom black hinge with serigraphy		
28	Z611	Black nylon button		
29	Z612N	Black nylon rod		
30	Z616KIT	Reflecting red plate		
31	Z617	Upper reflecting red plate		
32	Z626	With screen for central handle		
33	Z628	Black lock plate		
34	Z630	Steel spheres D. 6		
35	Z631	Zinc-plated cylindric steel spring		
36	Z632R	Steel torsion spring		
37	Z634	Steel spring for rod		
38	Z721R	Pin. D. 04x85 mm		
39	Z195	Pin D. 04x80 mm		
40	Z723	Pin. D. 04x23 mm		
41	Z613N	Upper part lock set, black		
42	Z133	Steel sliding plate		
43	Z134	Handle plate		

Vyberte požadovaný náhradní díl, cenu a dostupnost vám potvrdíme na info@motosp.cz.